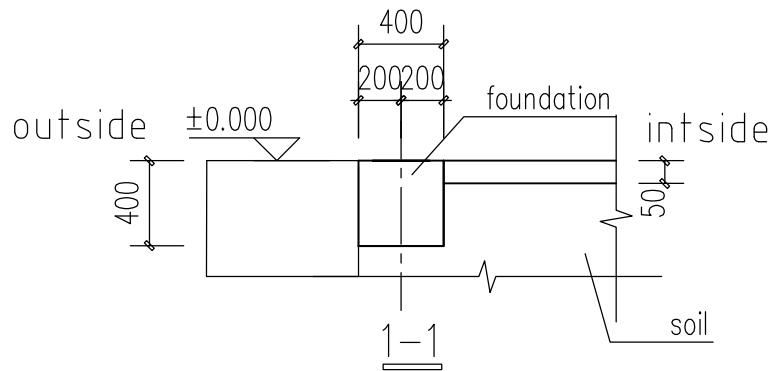
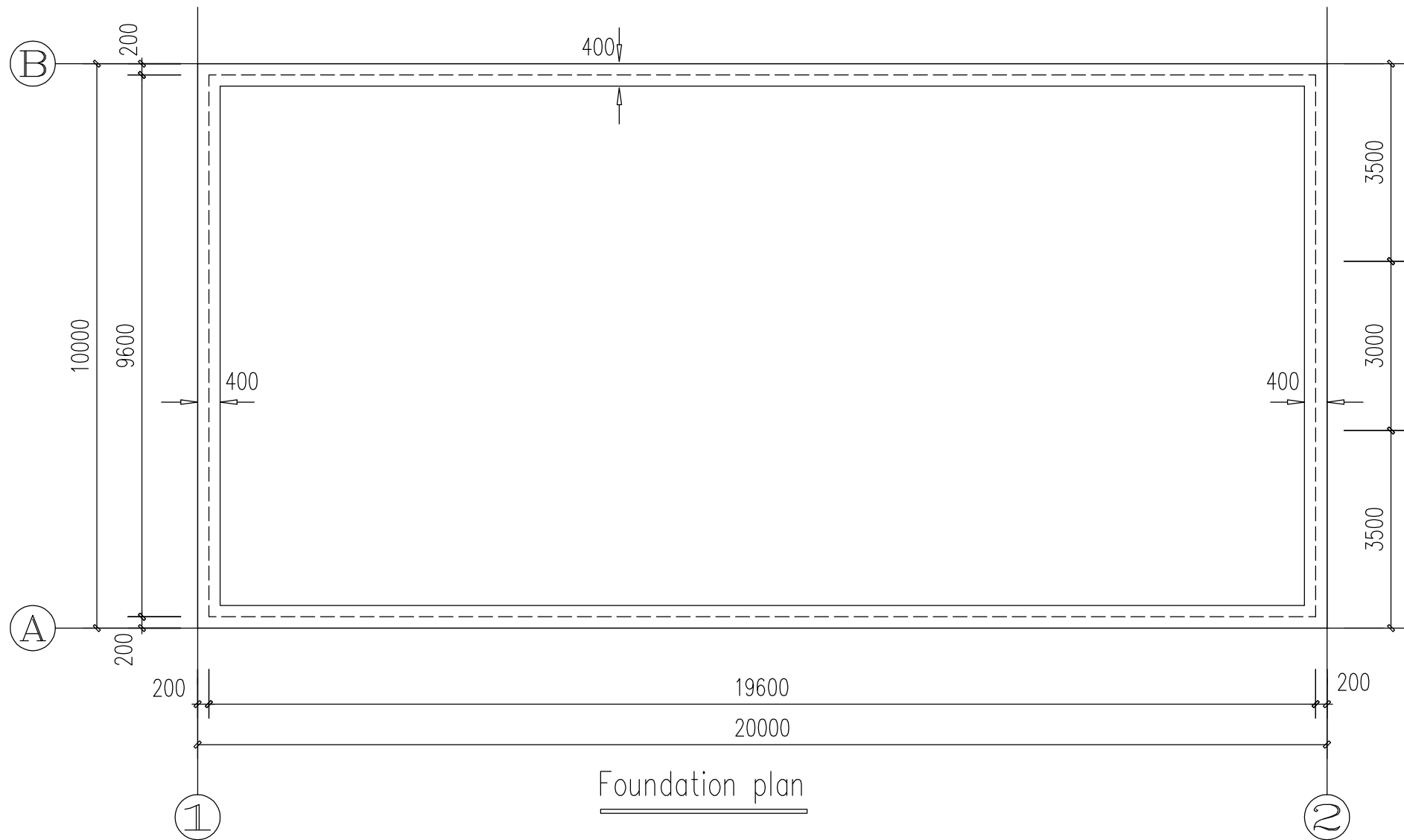


PLAN

### door & windows list

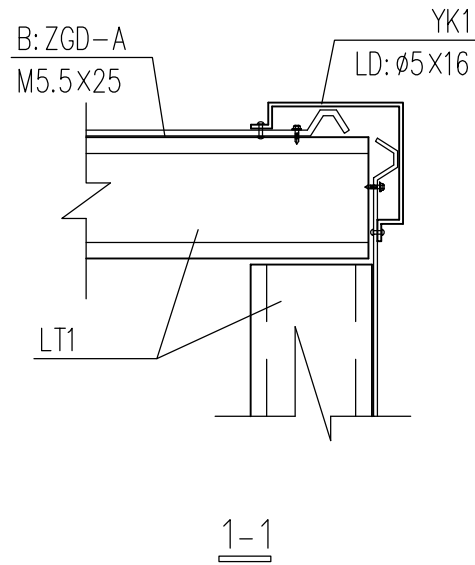
type	type	size(mm)	Qty.	remark
Door	D1	3500X3500	1	blue roller door
windows	W1	2000X1000	7	

				CLIENT			
				PROJECT	10mX20mX5m		
APPROVED		DESIGNED		SHEET TITLE	PLAN	SHT. NO.	01
CHECKED		DRAWN				VERSIONS	

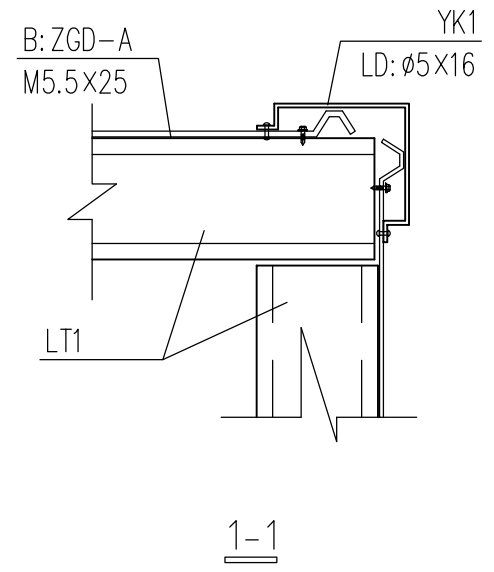
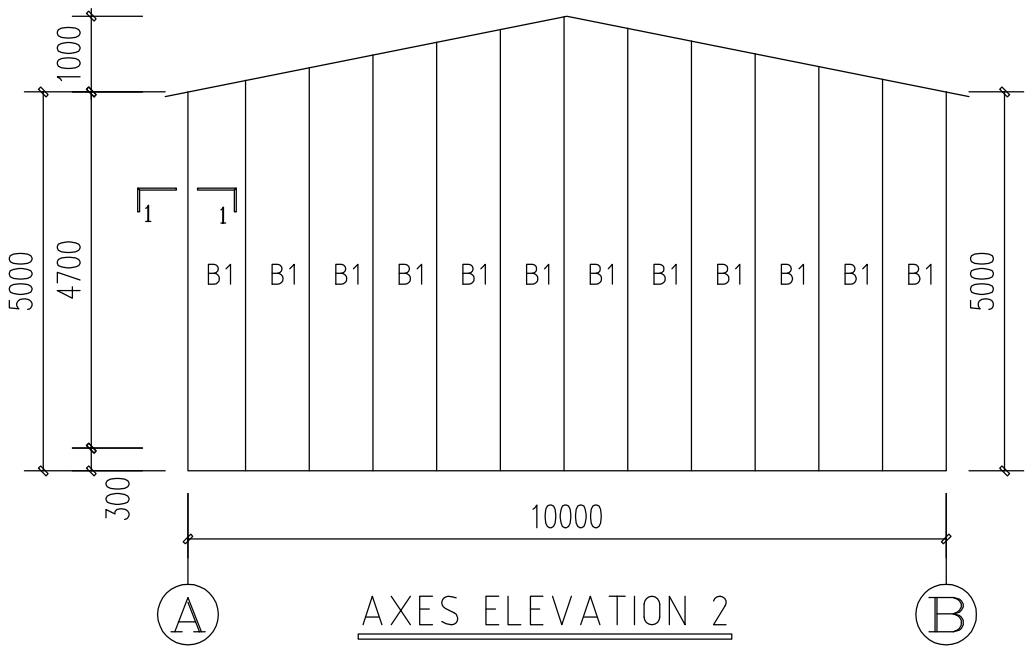
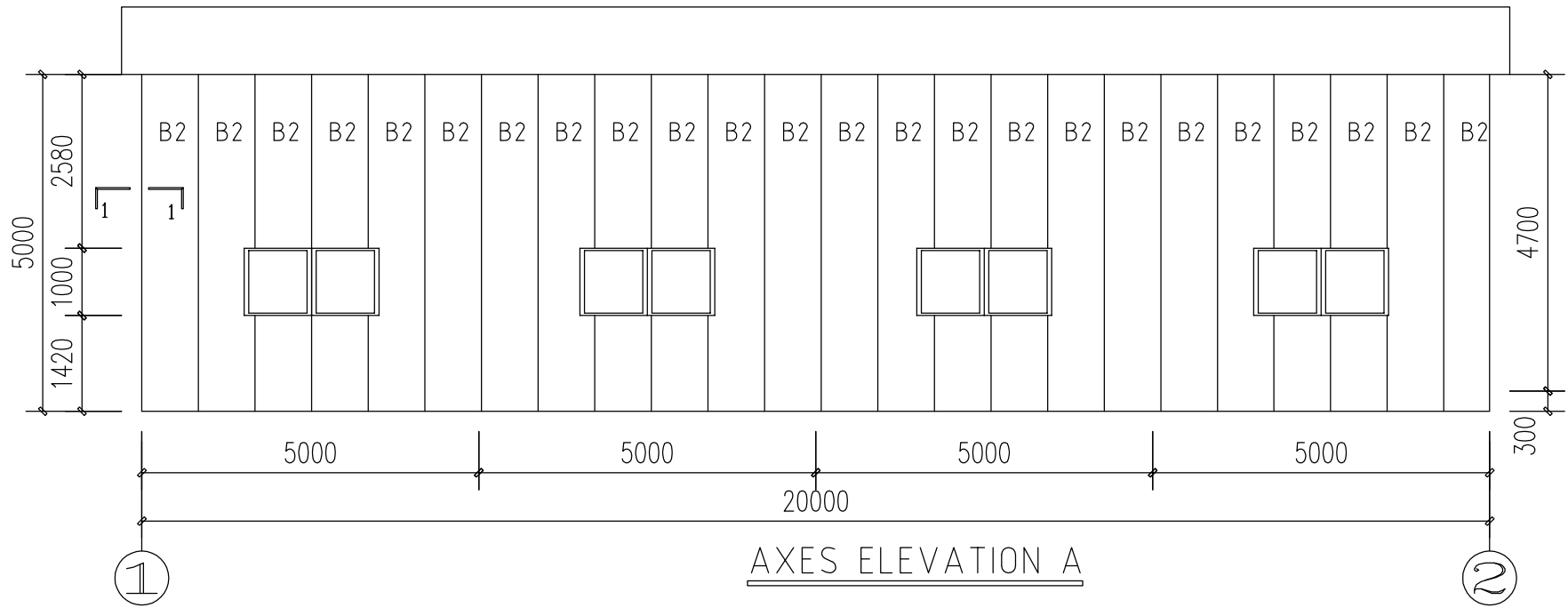


Note:1: The dimension of concrete is applicable only for ground .  
For loose ground shall be increased accordingly to prevent from sinking..

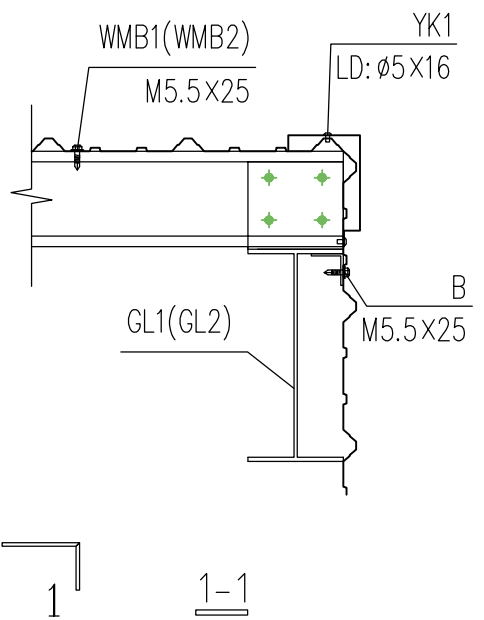
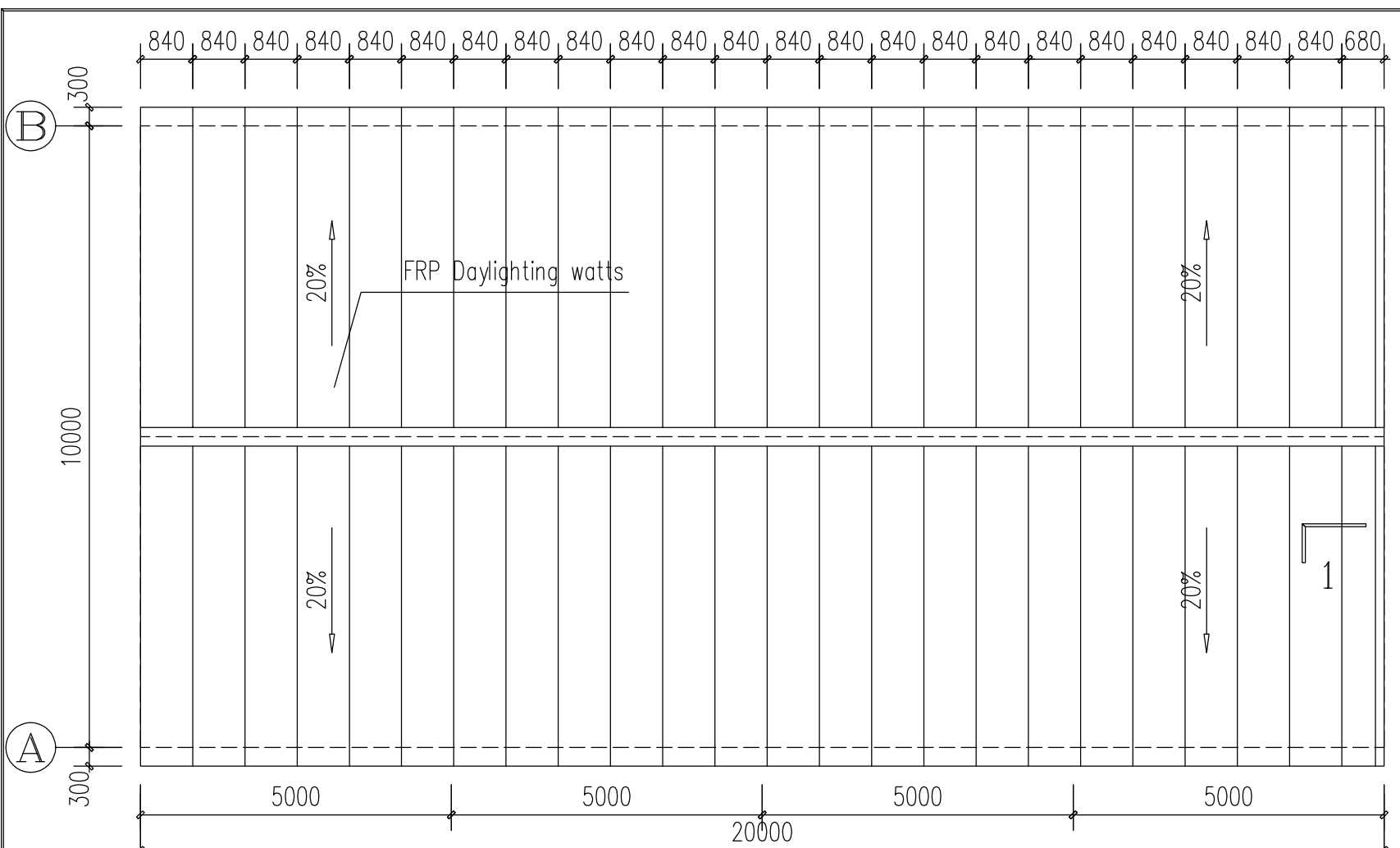
				CLIENT			
				PROJECT	10mX20mX5m		
APPROVED		DESIGNED		SHEET TITLE	Foundation plan	SHT. NO.	02
CHECKED		DRAWN				VERSIONS	



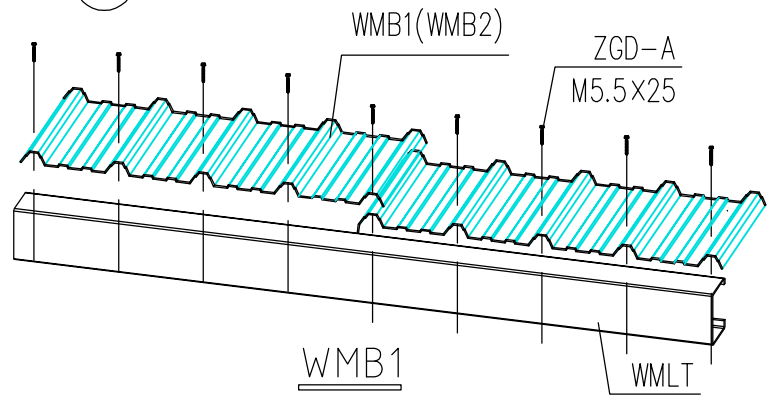
				CLIENT			
				PROJECT	10mX20mX5m		
APPROVED		DESIGNED		SHEET TITLE	ELEVATION	SHT. NO.	03
CHECKED		DRAWN				VERSIONS	



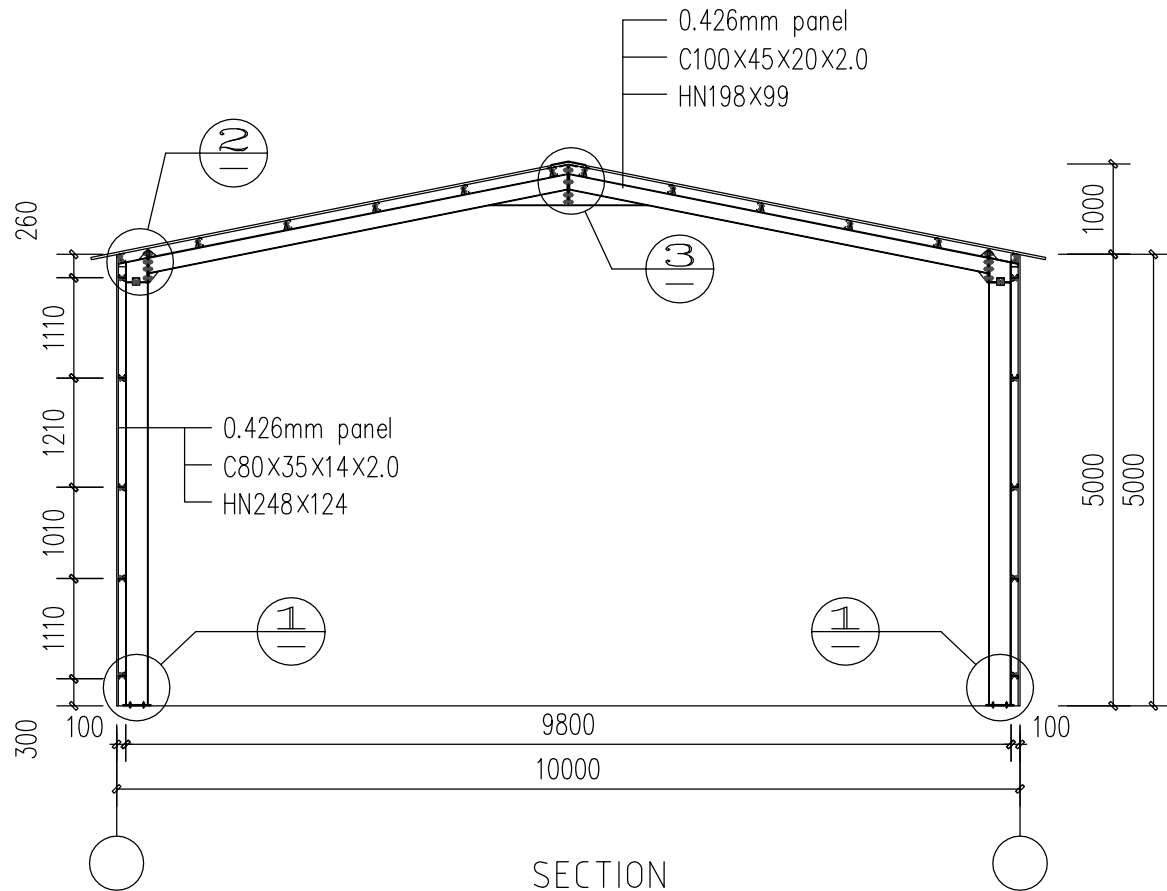
				CLIENT			
				PROJECT	10mX20mX5m		
APPROVED		DESIGNED		SHEET TITLE	ELEVATION	SHT. NO.	04
CHECKED		DRAWN				VERSIONS	



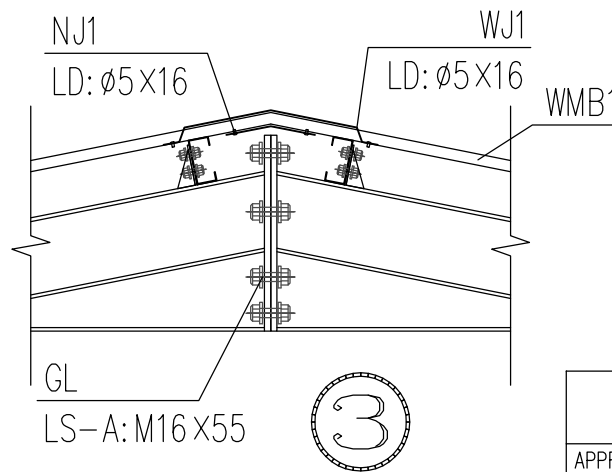
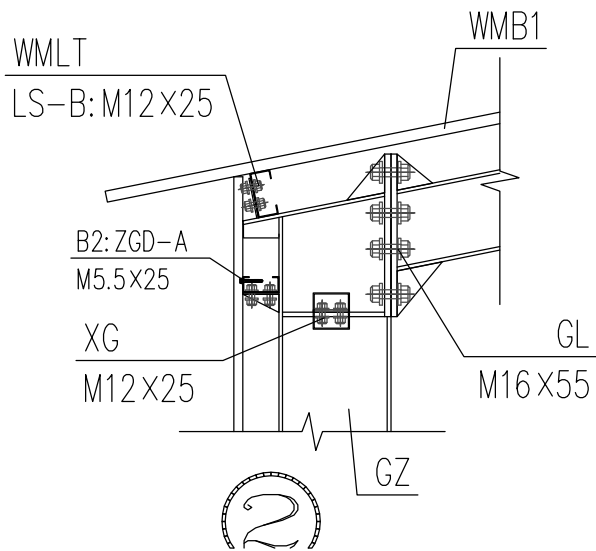
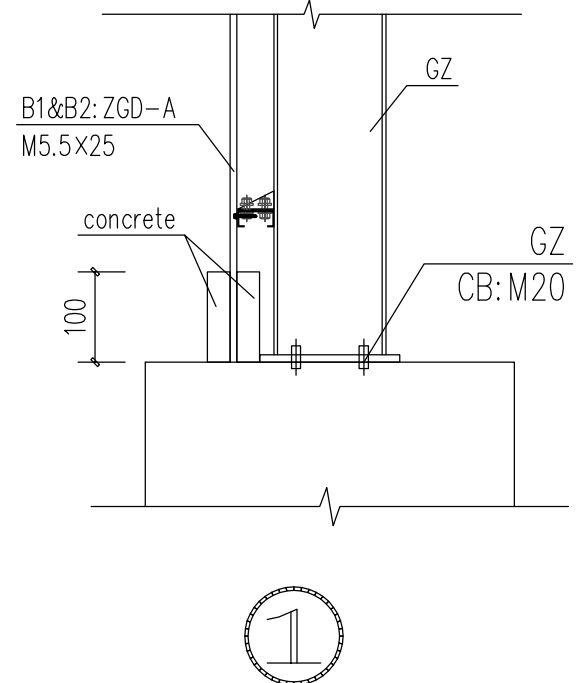
PLAN



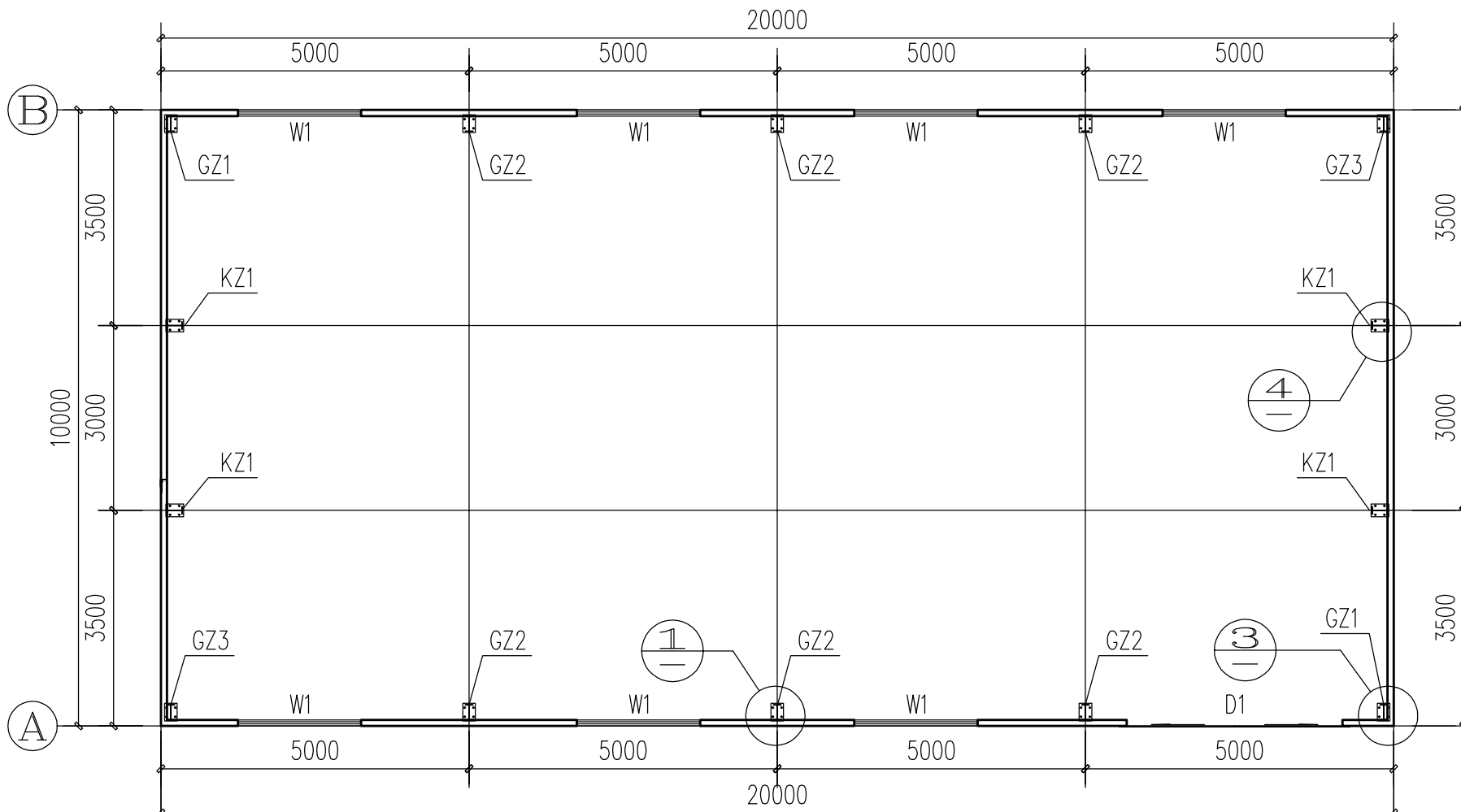
				CLIENT		
				PROJECT	10mX20mX5m	
APPROVED		DESIGNED		SHEET TITLE	ELEVATION	SHT. NO. 03
CHECKED		DRAWN				VERSIONS



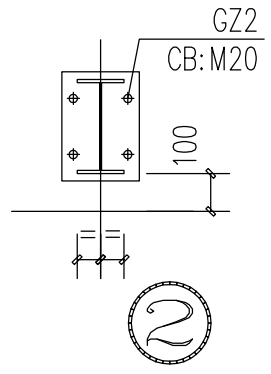
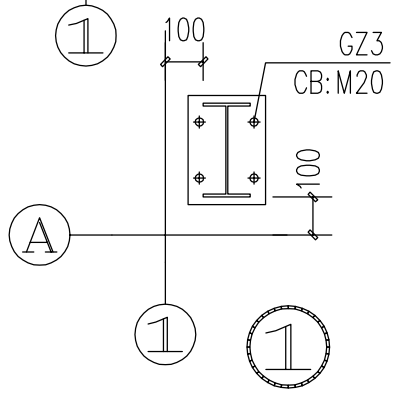
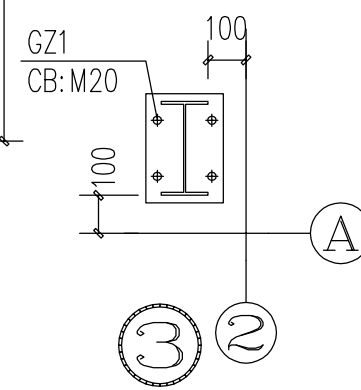
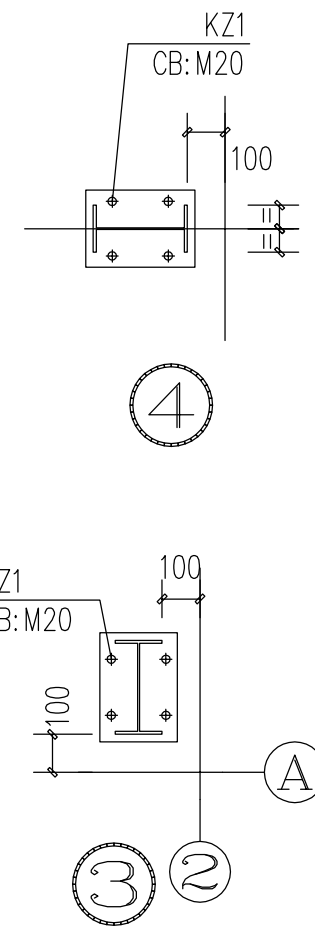
SECTION



			CLIENT	
			PROJECT	10mX20mX5m
APPROVED	DESIGNED	SHEET	SECTION	SHT. NO. 05



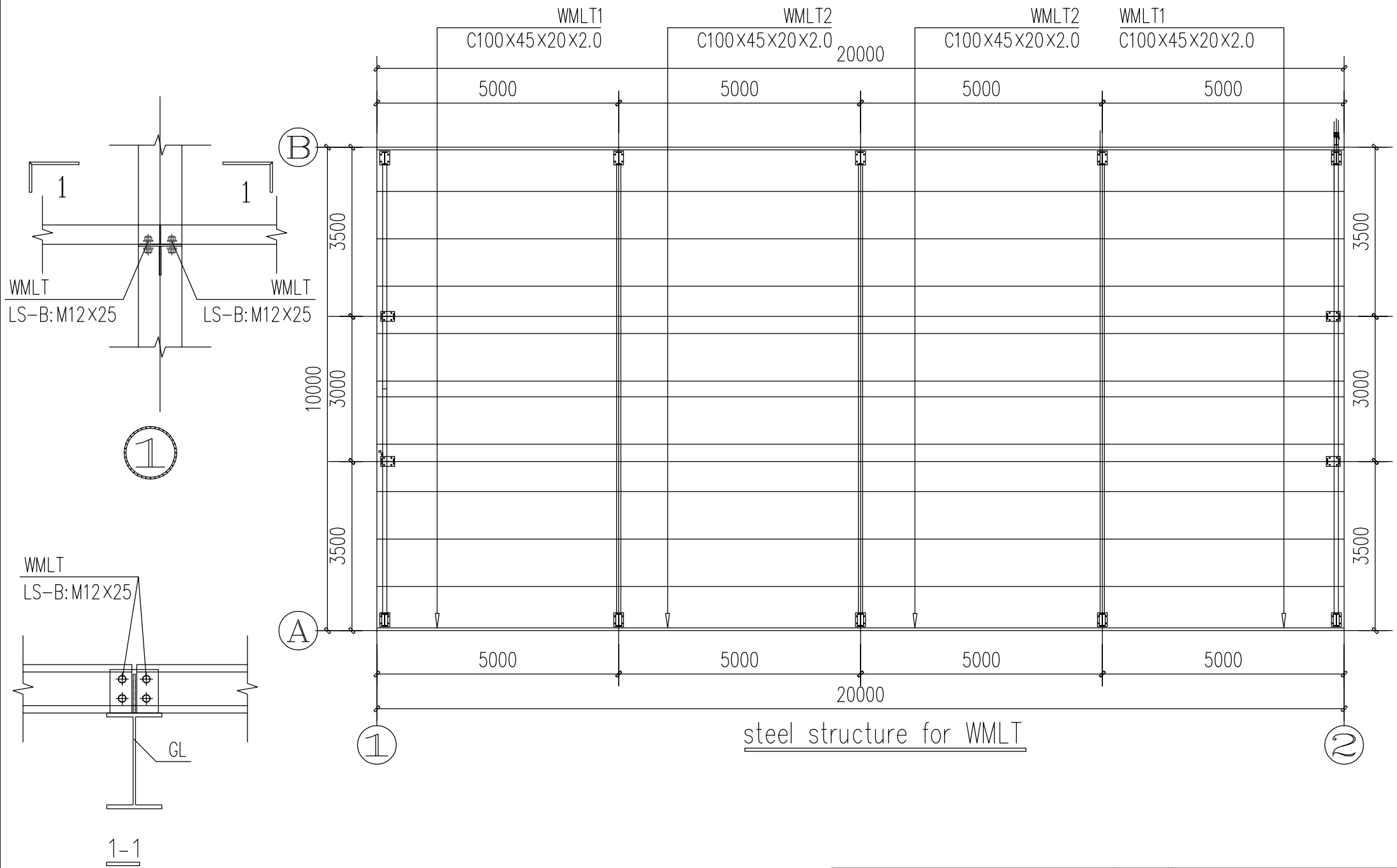
steel structure for GZ



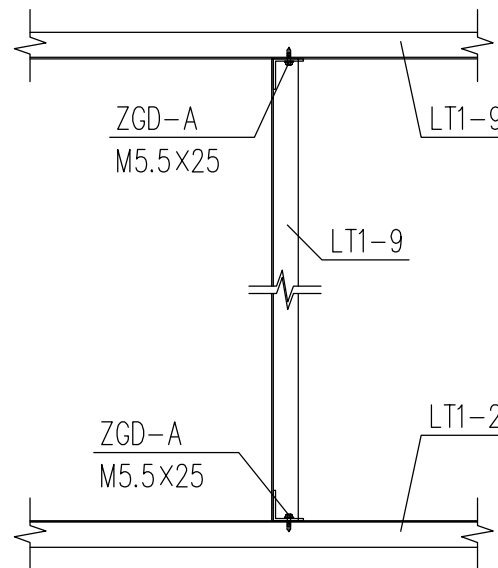
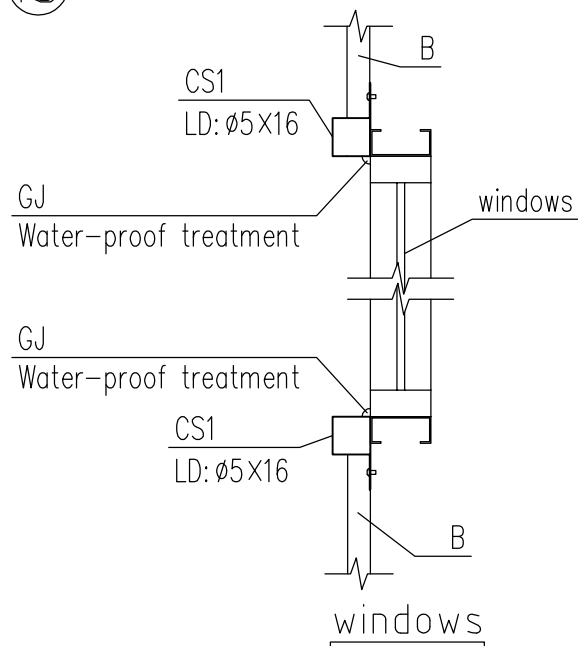
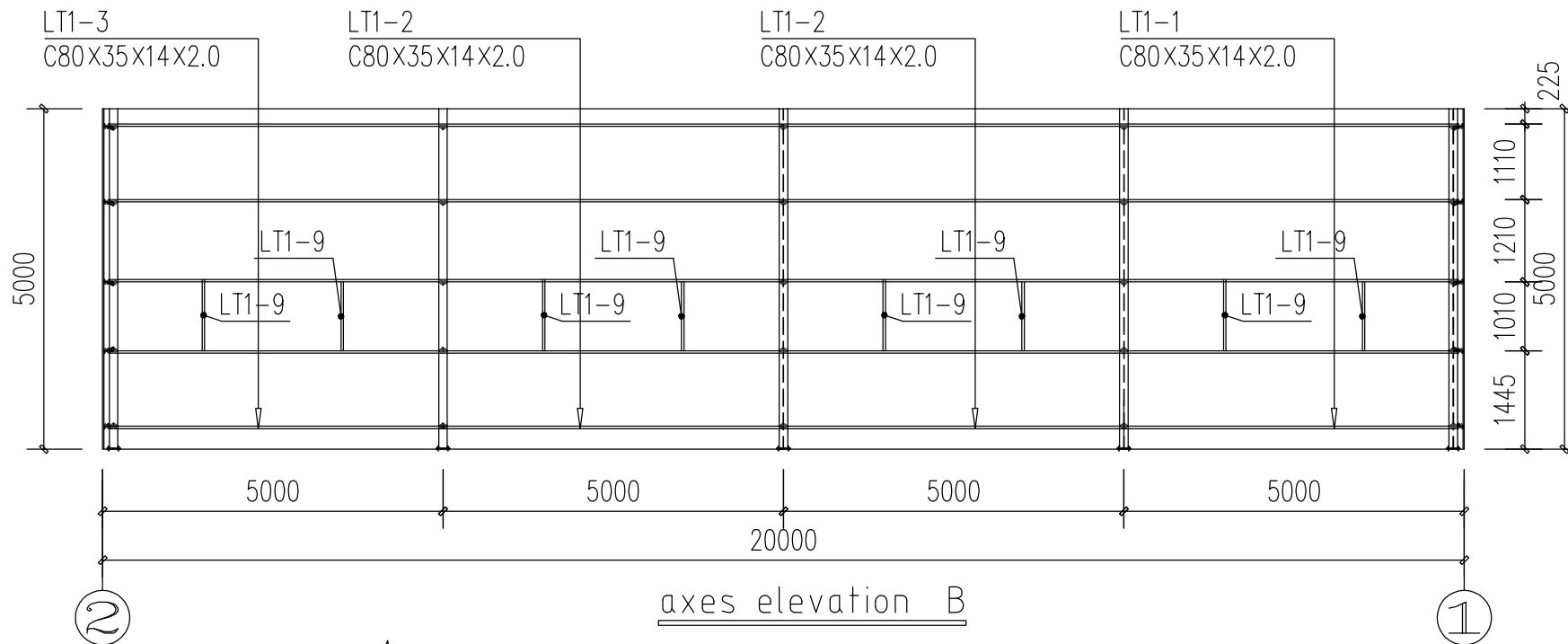
				CLIENT			
				PROJECT	10m x 20m x 5m		
APPROVED		DESIGNED		SHEET TITLE	steel structure for GZ	SHT. NO.	05
CHECKED		DRAWN				VERSIONS	



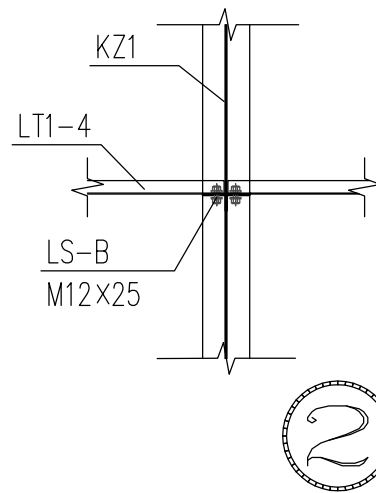
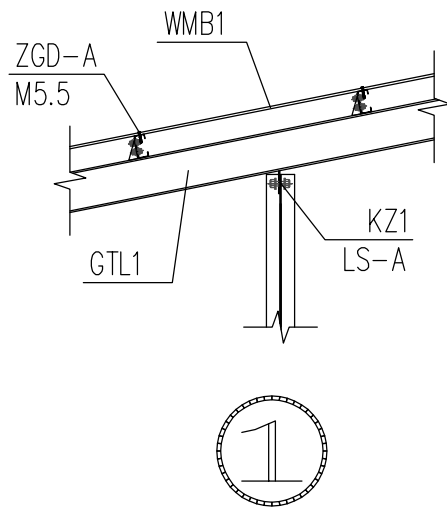
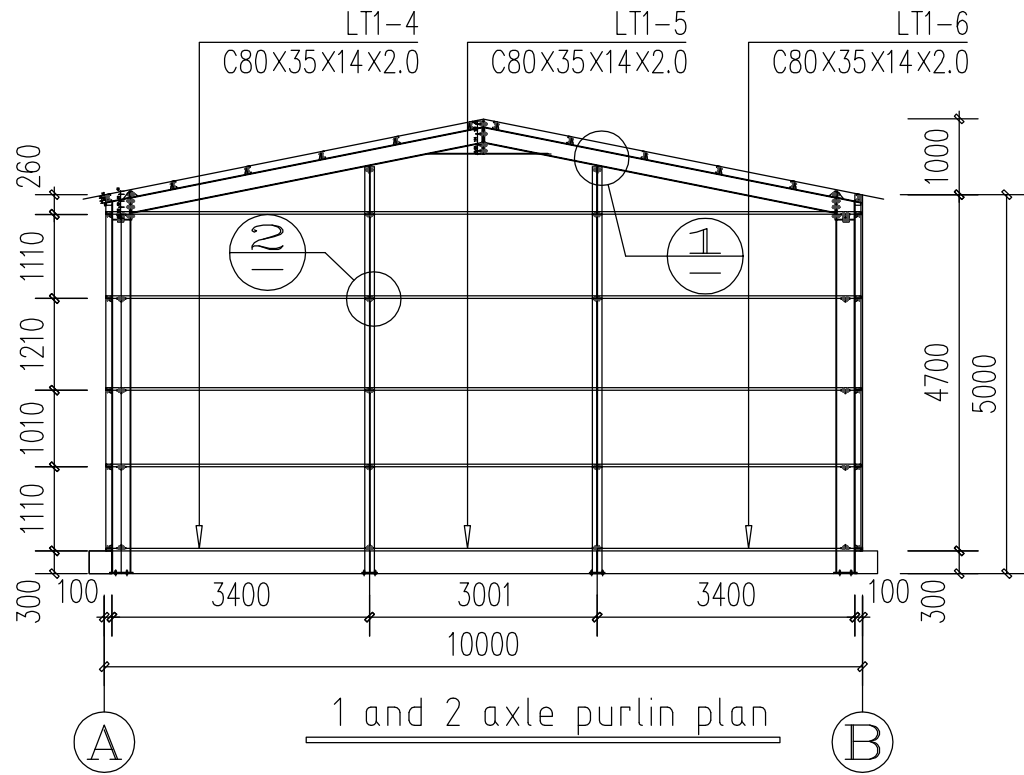




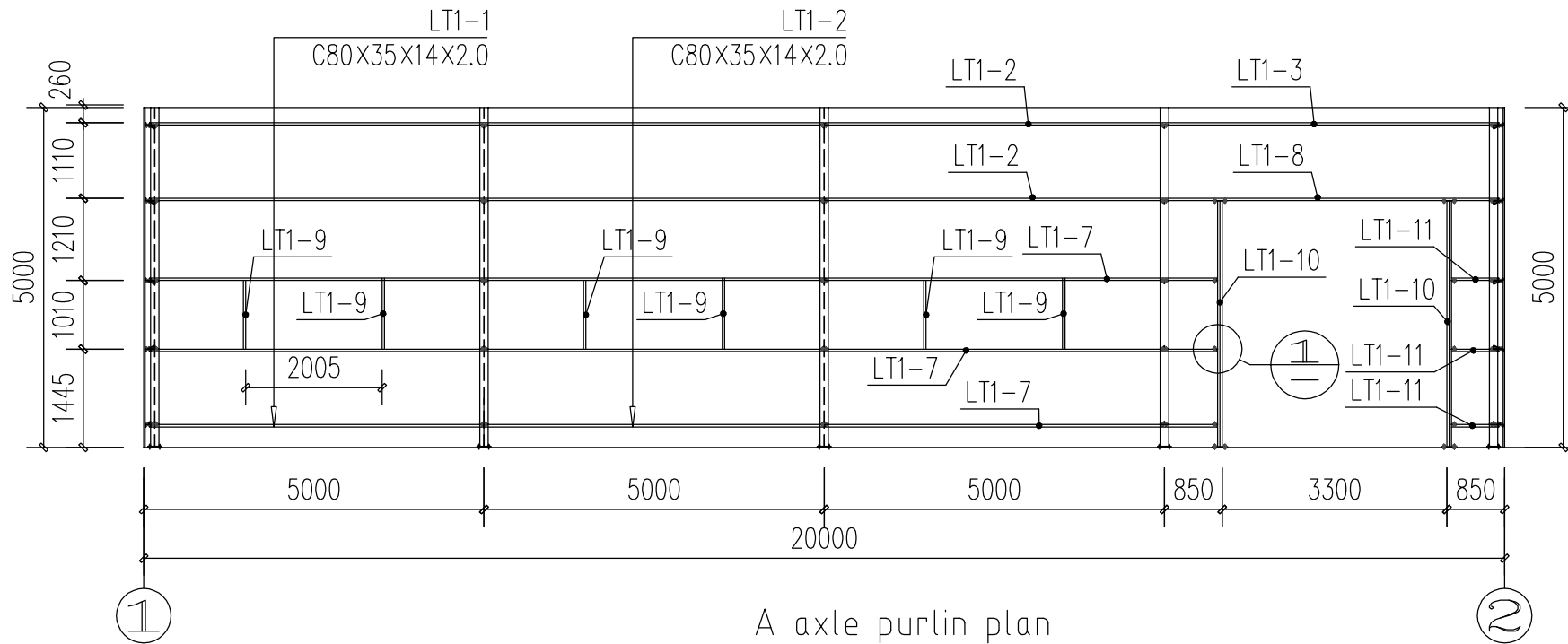
				CLIENT	
				PROJECT	10m x 20m x 5m
APPROVED		DESIGNED		SHEET TITLE	steel structure for WMLT
CHECKED		DRAWN			
				SHT. NO.	07
				VERSIONS	



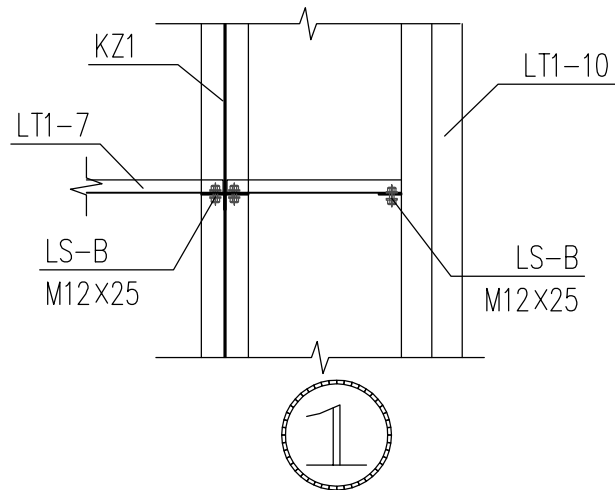
				CLIENT			
				PROJECT	10m x 20m x 5m		
APPROVED		DESIGNED		SHEET TITLE	axes elevation B	SHT. NO.	08
CHECKED		DRAWN				VERSIONS	



				CLIENT			
				PROJECT	10m x 20m x 5m		
APPROVED		DESIGNED		SHEET TITLE	1 and 2 axle purlin plan	SHT. NO.	09
CHECKED		DRAWN				VERSIONS	



A axle purlin plan



				CLIENT			
				PROJECT	10m x 20m x 5m		
APPROVED		DESIGNED		SHEET TITLE	Aaxle purlin plan	SHT. NO.	10
CHECKED		DRAWN				VERSIONS	